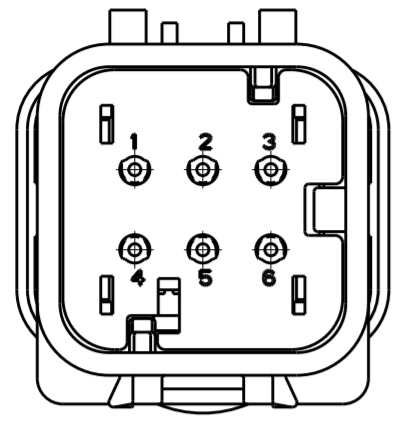
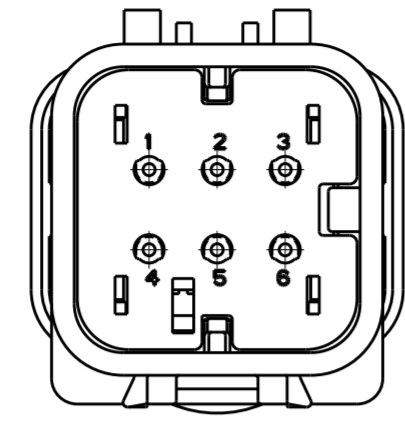


THIS DRAWING IS UNPUBLISHED
RELEASED FOR PUBLICATION
COPYRIGHT 20 BY - ALL RIGHTS RESERVED.

REVISIONS				
P	LTR	DESCRIPTION	DATE	APVD
C		REVISED PER ECO-13-019168	05DEC2013	DR RB

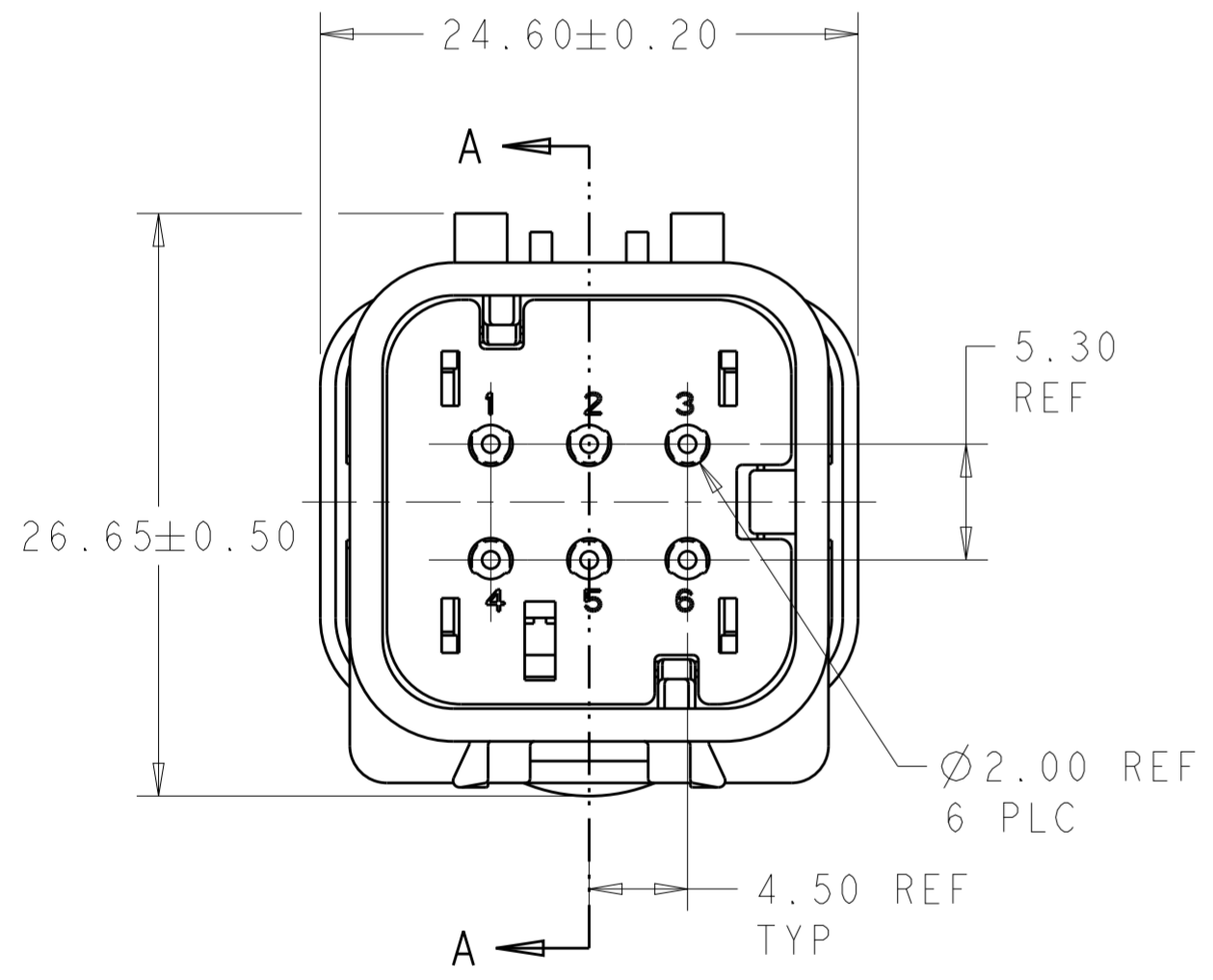


776537-2
SCALE 2:1

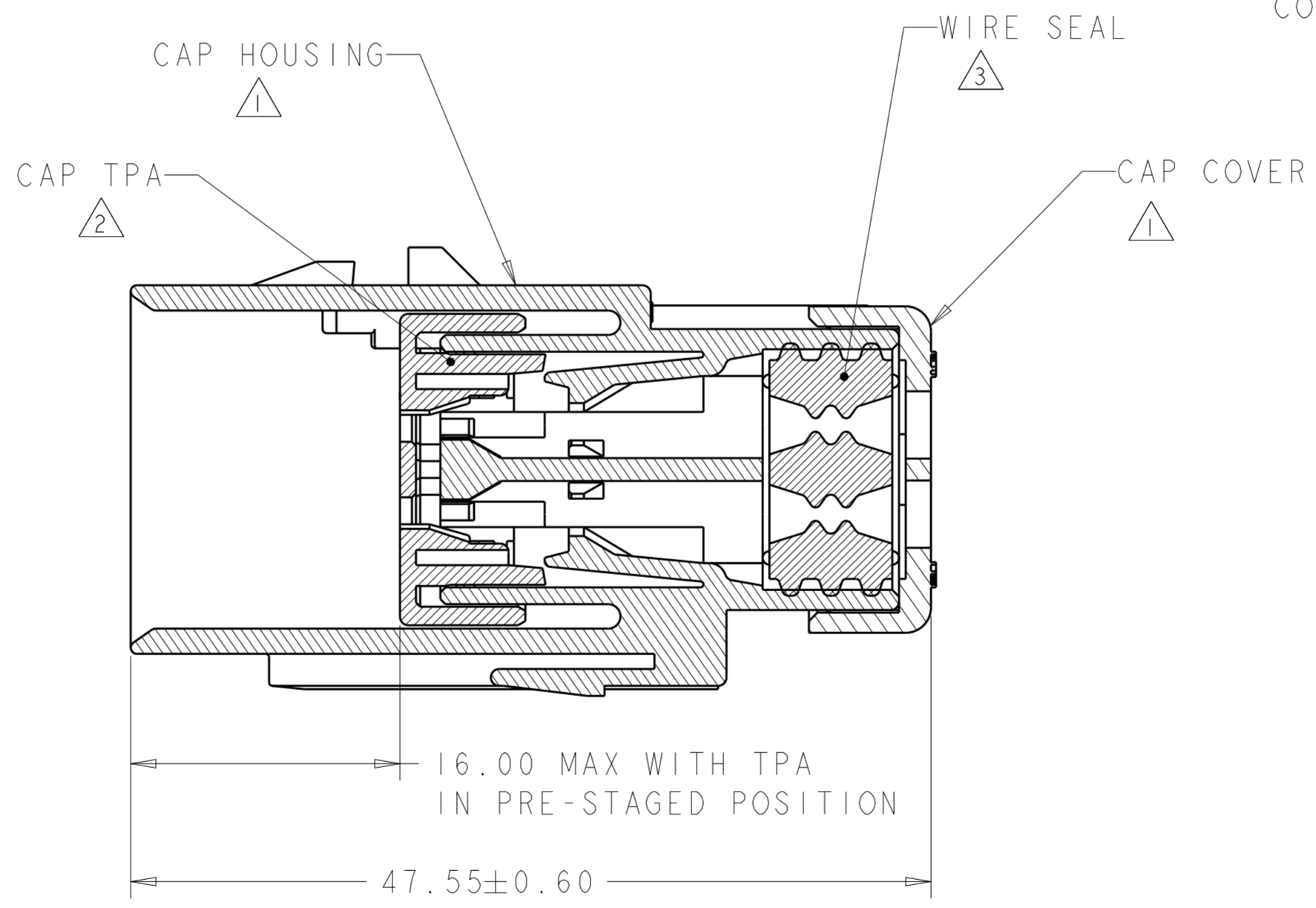


776537-3
SCALE 2:1

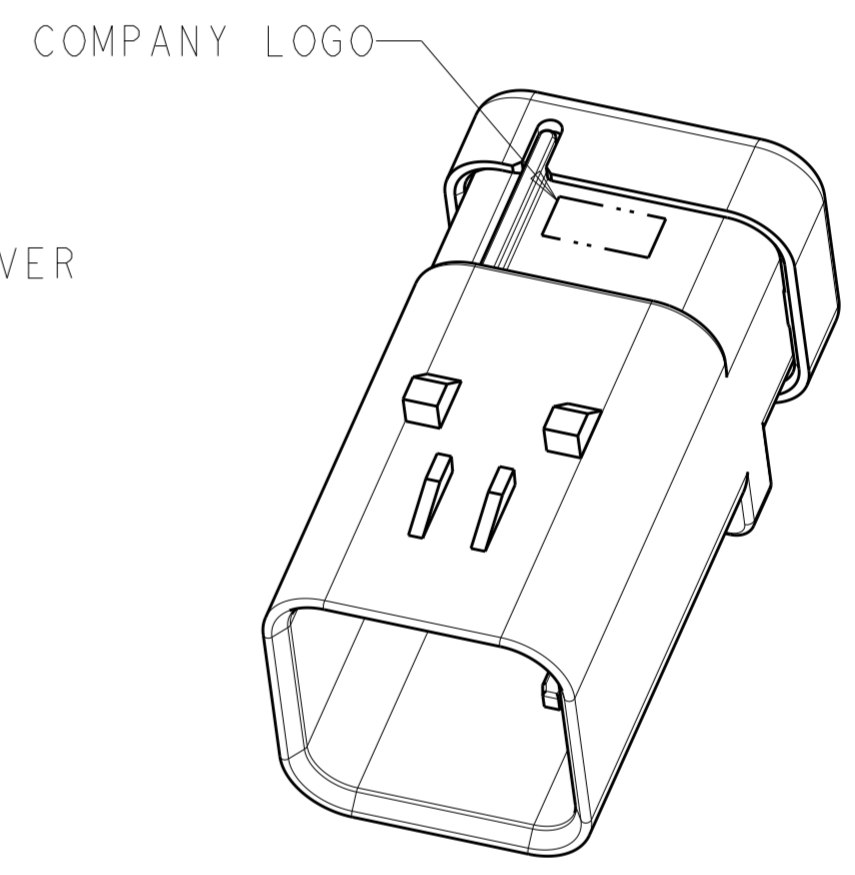
- ① MATERIAL: 15% GLASS FILLED THERMOPLASTIC
COLOR: BLACK
 - ② MATERIAL: 15% GLASS FILLED THERMOPLASTIC
COLOR: (SEE TABLE)
 - ③ MATERIAL: SILICONE
COLOR: LIGHT GRAY
4. RECOMMENDED WIRE DIAMETER RANGE IS 1.30 TO 2.54mm



776537-1 SHOWN



SECTION A-A
OPEN POSITION



SCALE 2:1

YELLOW	776537-3
GRAY	776537-2
RED	776537-1
TPA COLOR	PART NUMBER

THIS DRAWING IS A CONTROLLED DOCUMENT.		DWN 04SEP2003 W. HOELSCHER	STE TE Connectivity	
DIMENSIONS: mm		CHK 04SEP2003 J. PATTERSON		
TOLERANCES UNLESS OTHERWISE SPECIFIED:		APVD 04SEP2003 D. KLEIN	NAME CAP ASSEMBLY, 6 POSITION, 2 ROW, AMPSEAL 16 CONNECTOR REDUCED DIA WIRE SEAL	
0 PLC ±		PRODUCT SPEC 108-2184	SIZE CAGE CODE DRAWING NO RESTRICTED TO	
1 PLC ±		APPLICATION SPEC 114-13065	A200779 C-776537	
2 PLC ±		WEIGHT 15.5	SCALE 2:1 SHEET OF REV C	
3 PLC ±		Customer Drawing		
4 PLC ±				
ANGLES ±				
FINISH -				
-				